

Dynapac SD2500CS

Large pavers



Technical data



Masses

Tractor weight (incl. standard screed)	40,785 lbs
--	------------



Dimensions

Basic width	8.30 ft
Working width, minimum (Cut Off Shoe)	6.70 ft
Front ramp angle	15°
Working width, max.	33 ft



Capacity

Maximum paving thickness	12.20 in
Theoretical placement capacity	880 t/h



Material hopper

Capacity	212 cu. ft.
Dumping height (center/outside)	21.85 in /22.05 in
Hopper width, internal	130 in



Propulsion

Maximum paving speed	92 fpm
Transport speed	2.50 mph



Engine

Manufacturer/Model	Cummins QSB 6.7
Emissions according to	T4F
Rated power, SAE J1995	200 hp @ 2,200 rpm with stepless rpm control and eco-mode
Electrical system	24 V
Fuel tank capacity	85 gal



Undercarriage

Crawler length	114.2 in
Crawler width	12.6 in
Final drive	Hydrostatic final drives with hydraulic motors and planetary gear box



Conveyor

Conveyor type	Dual bar feeder
Conveyor control	Automatic with limit switches
Conveyor width	2 x 25.8 in



Auger

Auger diameter	15 in
Auger control	Automatic with ultrasonic sensors

Find us locally at www.dynapac.us

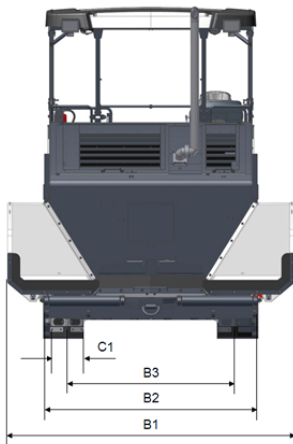
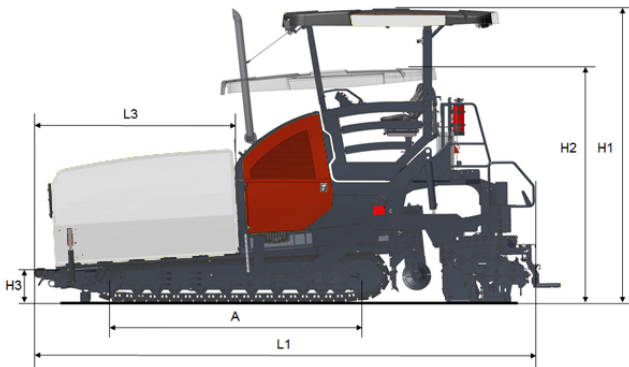
We reserve the right to change specifications without notice. Photos and illustrations do not always show standard versions of machines. The above information is a general description only, all informations are supplied without liability.

Dynapac SD2500CS

Large pavers



Technical data



Dimensions	
A. Axle track	114 in
B1. Width, max.	134 in
B2. Width, standard	100 in
B3. Width, center of tracks	78 in
C1. Track width	13 in
H1. Height, max.	154 in
H2. Height, transport	122 in
H3. Height	19 in
L1. Length	242 in
L3. Length, hopper	84 in

Suitable screeds					
Model	Basic width	Working width, hydraulic extendable	Working width, max.	Compacting elements	Heating system
Dynapac V6000TVH	9.84 ft	19.69 ft	29.53 ft	Vertical impact tamper /Vibration and secondary compactor	Electrical
R300TVE	9.84 ft	N/A	45.93 ft	Vertical stroke tamper/vibration	Electrical
Dynapac V5100TVH	8.37 ft	16.73 ft	26.57 ft	Vertical impact tamper /Vibration and secondary compactor	Electrical
V5100TVE	8.37 ft	16.73 ft	28.87 ft	Vertical impact tamper /Vibration	Electrical
V6000TVE	9.84 ft	19.69 ft	31.82 ft	Vertical impact tamper /Vibration	Electrical
R300TV	9.84 ft	N/A	45.93 ft	Vertical stroke tamper/vibration	Propane (LPG)
V6000TV	9.84 ft	19.69 ft	31.82 ft	Vertical impact tamper /Vibration	Propane (LPG)
V5100TV	8.37 ft	16.73 ft	28.87 ft	Vertical impact tamper /Vibration	Propane (LPG)

Find us locally at www.dynapac.us

We reserve the right to change specifications without notice. Photos and illustrations do not always show standard versions of machines. The above information is a general description only, all informations are supplied without liability.