

# DYNAPAC COMPACT PAVERS

F1200C, F1200CS



**INTRODUCING THE DYNAPAC F1200.** A remarkably compact yet powerful asphalt paver. With a laying capacity of 300 tonnes per hour, and a wide range of working widths and material filling possibilities makes the Dynapac F1200 the perfect choice for the widest range of jobsites. Equipped with either gas or electrically heated, vibrating or tamping and vibrating screeds the Dynapac F1200 asphalt paver ensures high pre compaction and excellent surface quality. This compact paver offers maximum reliability through the use of high quality components and state of the art design and manufacturing.

## COMPACT POWER

### COMPACT FLEXIBILITY

The Dynapac F1200 paver is the most compact paver in its class worldwide. Its smart design provides excellent all round visibility from the operators platform ensuring the operator remains in complete control. The compact dimensions of the Dynapac F1200 make transporting easy and convenient.

### POWERFUL PACKAGE

The Dynapac F1200 is fitted with a 4-cylinder Deutz diesel engine with an output of 54 kw (72 hp), providing sufficient power and giving the machine the ability to carry up to 5 tons of material in the hopper whilst maintaining high tractive force. This combined with the low centre of gravity and the long, wide crawler tracks ensures that the high tractive force is ensured, even on uneven surfaces.

	<i>F1200C</i>	<i>F1200CS</i>
Engine power at 2200 rpm	54 kW	54 kW
Theoretical paving capacity	300 t/h	300 t/h
Max. working width	3.10 m	3.10 m



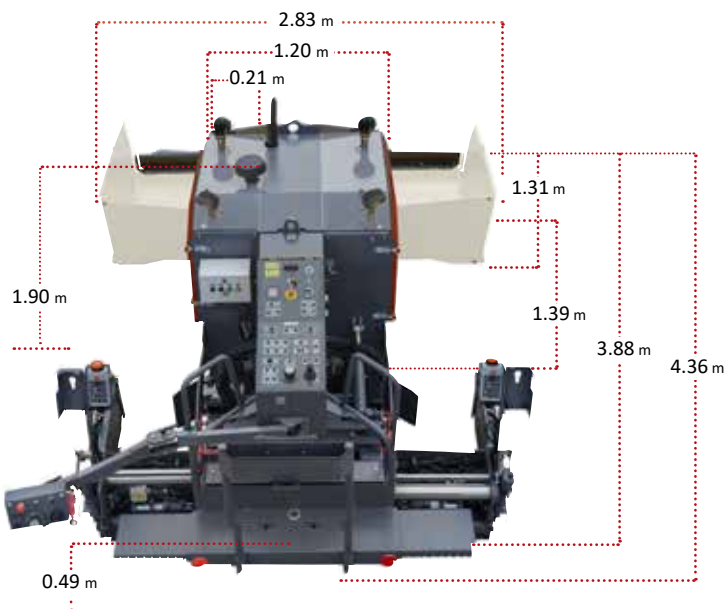
**DYNAPAC**  
FAYAT GROUP

*Dynapac E1200C / CS tracked paver  
– a small paver with big advantages !*

**SMOOTH MATERIAL FLOW**



# FLEXIBLE APPLICATION



## **SMART DESIGN**

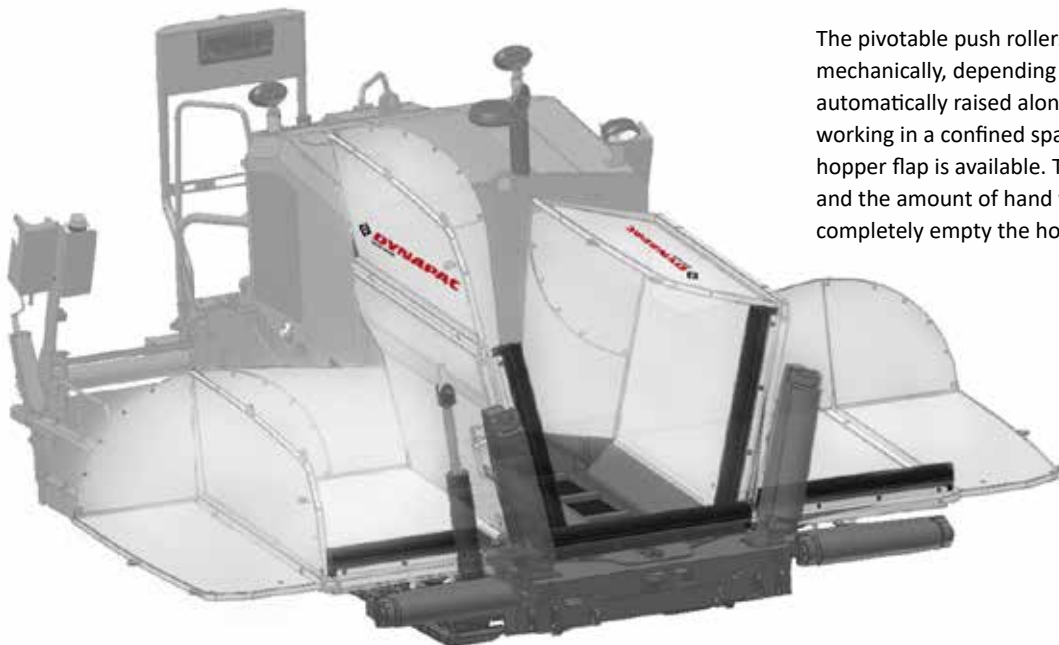
When working with a compact paver, flexibility is everything. One day working on a side walk at 2.4 m, the next day doing a repair job in a narrow alley, every job is different. The Dynapac F1200C & CS offer a paving width from 0.3 m up to 3.1 m. With the Dynapac screed design the screed can be hydraulically extensible from 1.2 up to 2.4 m, without using extensions.

Paving in narrow areas is made easier by the compact dimensions, with a length, which is less than 4.4 m and width of 1.2 m. With a height of less than 2 m, the Dynapac F1200CS is also suitable for working inside buildings.



### ***TRULY FLEXIBLE***

The Dynapac F1200 features a large hopper with 5 tons capacity with hydraulically controlled hopper wings. With easily adjustable settings on the hopper wings, the machine can always be used to its maximum capacity. The different settings of the left and right hopper wings are made quickly and easily by loosening one screw and choosing the optimum position to suit the jobsite.



The pivotable push rollers can be extended by 100 mm mechanically, depending on the truck size. They are automatically raised along with the hopper wings when working in a confined space. An optional hydraulic front hopper flap is available. This reduces the material spillage and the amount of hand work with a shovel. It also helps to completely empty the hopper.



## **FULLY AUTOMATED MATERIAL SYSTEM**

The Dynapac F1200 has a large feeding capacity of up to 300 tons per hour. The 620 mm wide material tunnel prevents segregation. The divided conveyor with its single drive system makes it possible to guide the material flow for asymmetrical paving by covering one side. With the optional reduction shoes, paving close to a wall, for example, can be handled easily with excellent results. Robust paddle switches in the conveyor tunnel are standard and the auger is controlled by ultrasonic sensors. The conveyor is reversible and can be tensioned easily from the outside. This fully automated material feeding system with proportional control ensures an excellent paving result.



## **STRONG AUGER SYSTEM**

The Dynapac F1200 is fitted with a robust high capacity auger with a diameter of 320 mm. Left and right sides are separately controlled and reversible. The large diameter together with the central drive, brings stability and ensures an optimized material flow. The auger is controlled by ultrasonic sensors for a precise material monitoring. Height adjustment can be made infinitely up to 150 mm. The unique refill button on the dashboard allows the auger compartment the auger compartment to be refilled quickly when the machine changes position on the job site.

# UNMATCHED



## **HIGH TRACTION FORCE**

Stable quality and fast transport speed are core features of the new Dynapac F1200. Improved long tracks and powerful hydraulic motors give the machine great stability and a fast transport and working speed.

Operating the machine is made more comfortable thanks to the new arrangement of the crawler rollers and an improved center of gravity. Improved hydraulics ensures that the power of the engine is transmitted directly to the ground, giving high traction force for precise paving and excellent results.

### **ERGONOMIC WORKPLACE**

The logically arranged operators panel of the F1200 is intuitive and easy to understand. Every toggle switch is positioned according to function group and operational frequency.

For example, frequently used functions, such as hopper, screed and driver lever are close to the driver, providing an ergonomic workplace. The operators platform is equipped with a backrest that includes a storage compartment. The operators platform has a non-slip-profile for maximum safety and comfort with extending side steps for increased visibility.



# PAVING QUALITY



### **MINIMUM WORKING WITH**

With the Dynapac Compact paver range it is possible to pave from 3.1 m down to 0.3 m working width. The basic width of the screed can be steplessly adjusted from 1.2 m up to 2.4 m hydraulically. To reach 3.1 m you simply mount the 350mm extension boxes. When there is a requirement to pave below 1.2 m you have a choice of reduction shoes to reach different working widths. The reduction shoes are easily mounted on the side shields to cover part of the auger which leads to reduced application width. Different shoes can be combined to reach the desired working width. An optional conveyor cover is available to allow feeding to one side.

#### **WORKING WIDTHS:**

Basic width	1.2 m
Hydraulically extendable	1.2 - 2.4 m variable
Working width with extension	1.9 - 3.1 m variable

#### **APPLICATION WITH REDUCTION SHOES:**

Symmetric	0.6 - 1.2 m variabel
Asymmetric	0.3 - 1.2 m variabel

# FEATURES AND BENEFITS

1

## REMOTE STEERING

Optional remote control arm. Useful when paving in narrow situations or "one man" paving.

2

## LOW NOISE LEVEL

Reduced noise level through a new engine concept, noise insulation and the thermostatically controlled fan.

3

## BACKREST

Gives extras safety and comfort to the driver and can be removed when necessary.

4

## SLIDABLE STEPS

There are slideable step-extensions in the floor of the operators platform to improve the visibility around the machine.

5

## DYNAPAC SCREED

High quality and reliable performance with a choice of Vibration and Tamper & Vibration version. We offer both gas and electrical heating.

6

## WIDE TRACKS

The improved long tracks give the machine stability and outstanding traction.

7

## ERGONOMICS

Excellent view to the hopper and all working areas due to low height and compact dimensions. Logically and intuitively arranged operators panel.

8

## SUSTAINABLE DRIVE CONCEPT

F1200 features latest technology. The 4 cylinder Deutz engine is available in Stage IIIA or IIIB. Thanks to the smart catalyst no maintenance of the after treatment system is needed

9

## TOW ARM GEOMETRY

The intelligent tow arm geometry offers paving thicknesses from -150 up to 200 mm.

10

## SMOOTH MATERIAL FLOW

The high capacity conveyor with the 320 mm large auger ensures smooth material flow with minimised segregation.

11

## COMPACT DIMENSIONS

With a basic width of 1.2 m and a length of only 4.4 m, the F1200 is the most compact paver in its class.

12

## ADJUSTABLE PUSH ROLLERS

The pivotable push rollers can be extended by 100 mm for flexible truck docking.

13

## ECO MODE

A stepless Eco-mode system allows you to set the engine speed to the optimal to suit the jobsite.







11

2

13

8

F1200CS

10

12

9

6



*Highest Flexibility in its class!*

## **TEMPERATURE CONTROL**

The Dynapac F1200C / CS offers the choice between gas or electrical heated screed. Temperature can be set to the required level via the key pad on the dashboard. The screeds have a temperature control unit, ensuring that no energy is wasted and the screed is always at its optimum temperature. All segments of the screed (basic screed and extension parts) are temperature controlled. When choosing electrical heating a short heat up time is ensured with the high capacity generator. With gas heating the heat up time is even shorter. The new gas bottle holder makes it easier to change the small bottles from the side.





### PROVEN QUALITY

The design of the Dynapac F1200 paver is based on the belief that to achieve optimum pre-compaction, it is necessary to have hydraulic motors for the tamper, and vibration in the basic and the hydraulic extendable screed sections. The screed is based on a guiding tune principle with a torque support.

The components are robust and wear-resistant. Attention is given to every detail to ensure a long life. The wide bottom plate of 205 mm, along with the compaction system of tamper and vibration ensures a smooth paving result.

### PRECISENESS

The tamper and vibration speed can be easily adjusted via valves. Positive and negative crown profiling is mechanically adjustable from -1,5 % up to +3,0 %.

Both screed sides are equipped with remote controls. All screed functions like extension/retraction, screed leveling, auger turning direction etc. can be adjusted from the remotes.

Optional remote steering allows the operator to drive the machine from the ground. The steering remote contains all drive related functions like speed adjustment, steering and trimming as well as hopper control.

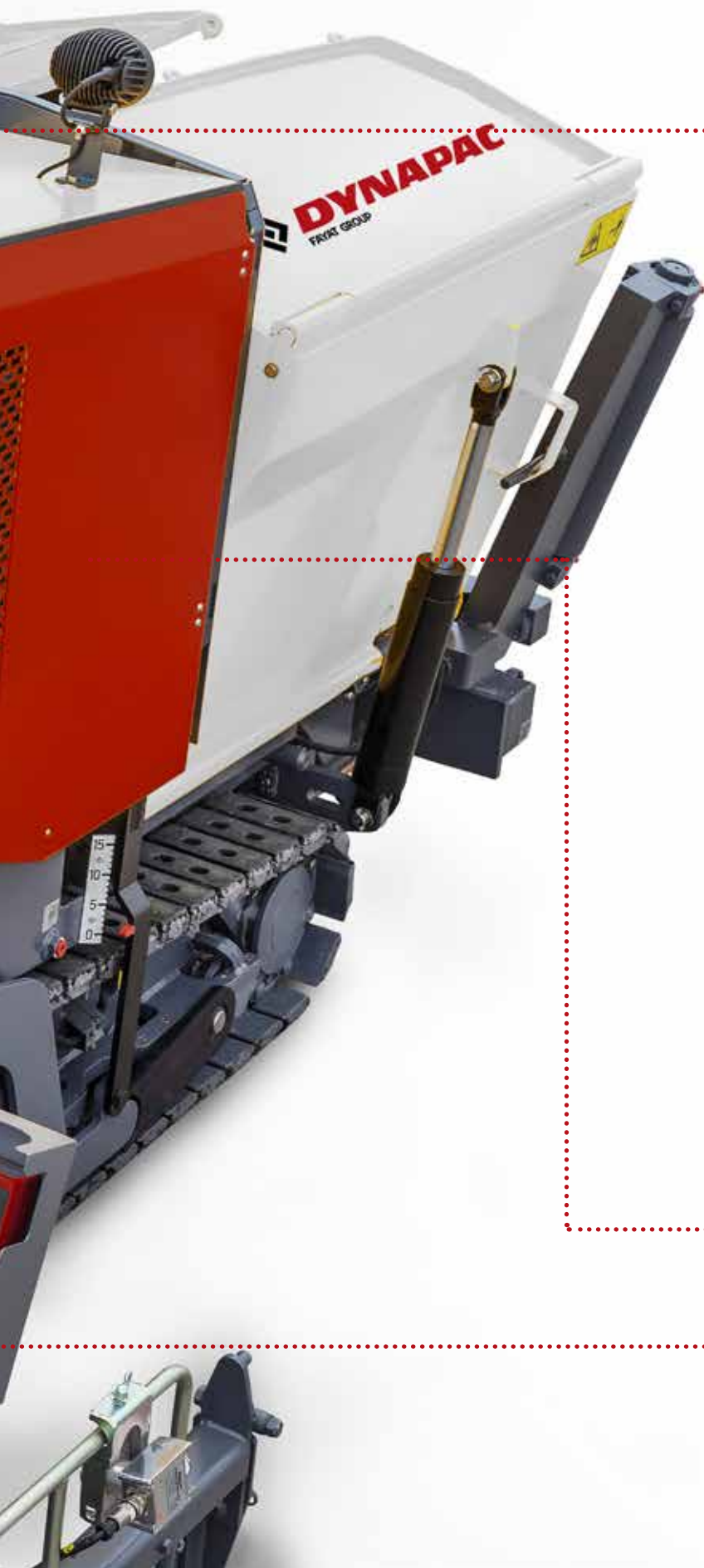
	V240V	V240VE	V240TV	V240TVE
Basic width	1.20 m	1.20 m	1.20 m	1.20 m
Hydraulically extendable to	2.40 m	2.40 m	2.40 m	2.40 m
Max. working width	3.10 m	3.10 m	3.10 m	3.10 m
Min. working width	0.30 m	0.30 m	0.30 m	0.30 m
Heating system	LPG	Electric	LPG	Electric
Compaction system	Vibration	Vibration	Tamper&Vibration	Tamper&Vibration
F1200C	YES	YES	NO	NO
F1200CS	NO	NO	YES	YES

## MEETING OPERATORS NEED



### **EFFICIENCY FOCUS**

*The engine features the latest common rail technology. The Stage IIIB engine is equipped with a simple and smart after treatment system, which does not require any maintenance or refilling. The hydraulic system is optimally adjusted to the power pack, to give excellent fuel efficiency without compromising on power. All leveling systems from with the Dynapac F1200 pavers for a precise paving results.*



## POWER PACK

The Dynapac F1200 paver features the latest technology with a 4-cylinder Deutz engine available as Stage IIIA or IIIB (Tier 4f), giving smooth running with low emission levels. With its reliable hydraulic system and hydraulically driven fan the F1200 offers outstanding economy and efficiency.

Stage IIIA is a powerful and quiet engine with improved fuel efficiency and cold start performance. It features a new cylinder block with deep stiff crankcase for higher power and torque.

Stage IIIB gives superior life time value with higher fuel efficiency, reduced maintenance and longer service intervals. It also has improved common-rail technology for improved performance.

## ECOMODE

A stepless EcoMode system allows you to set the engine speed to suit the jobsite. The result is less fuel consumption, less noise and a longer lifetime of your engine. An efficient cooler eliminates the risk for overheating the engine, even in very hot weather conditions, all without affecting the paving result or working efficiency.

## LOW NOISE LEVELS

The new Dynapac F1200 has improved working environment and a much lower noise level due to the efficient insulation concept and the thermostatically controlled fan. Separating the fan from the engine has resulted in much lower noise and vibration levels



## CONTROL YOUR COSTS

Being active in the Road Construction business requires considerable investment. Every square meter involves an operational cost composed of fixed costs such as interest on equipment acquired, labor costs, insurance and equipment depreciation, but also variable costs such as expenses for fuel, wear and maintenance.



### Operator cost

The operator is always a very big part of the total cost. Operators using Dynapac equipment will enjoy good ergonomics and easy-to-operate equipment.

### Maintenance cost

All road construction equipment need regular check-ups such as change of oils and filters. Dynapac always strives to use components that require as little maintenance as possible.

### Wear cost

Since Dynapac always uses high-quality wear parts, the time that is needed to change them can be kept to a minimum. Customers who use Dynapac spare parts will improve reliability and protect their investment.

### Investment cost

The purchase price is often only a relatively small part of the total cost. Dynapac rollers and pavers maintain a high value throughout their working life, which is good to know if you ever want to sell it.

### Fuel cost

Fuel expenses can make up a large part of your total cost. Since Dynapac rollers and pavers are equipped with a very efficient hydraulic system, your fuel cost can be kept at a low level.

## SERVICE COMMITTED TO YOUR FUTURE

### WHAT?

#### GENUINE PARTS AND KITS

- Preventive maintenance kits
- Genuine Filters
- Fluids and lubricants
- Wear and repair kits
- Upgrade Kits

#### SERVICE

- Right competence
- Training program
- Inspection & service program
- Extended Warranty & Service Agreement

#### CONSUMABLES

- Road Milling  
Tools (bits)

### HOW?

#### GLOBAL DISTRIBUTION NETWORK

Always close to you

#### DYNAPAC.COM

- Kit selector
- Fluid selector
- Shop Online

#### DYN@LINK

- Manage your fleet
- Timely interventions planned with service alerts

## PREVENT THE COST OF A BREAKDOWN

### REGULAR MAINTENANCE PREVENTS COSTLY STANDSTILLS.

Equipment breakdowns have a direct impact on your productivity. No production means no revenue, but the fixed costs stay the same, resulting in lower profitability. By avoiding breakdowns and increasing the reliability of your machine, you will be able to produce more per year, which will immediately improve your profitability.

## PREVENTIVE MAINTENANCE KITS

### PREVENTIVE MAINTENANCE KITS

All in one box and tailored to match your equipment. Easy to obtain and attractively priced, our preventive maintenance kits contain all the parts required for the equipment's scheduled maintenance program. When installed by one of our certified technicians, you keep equipment downtime to a minimum and its uptime to a maximum throughout its working life.

### PREVENTIVE MAINTENANCE PAYS BACK

Equipment needs preventive maintenance that demands

- Timely intervention to avoid expensive breakdowns
- High quality maintenance also means higher resale value (residual value)



**Lower Cost of Ownership**  
Maintenance prevents more costly repairs



**Increased equipment reliability**  
Full equipment uptime



**Higher resale value**

## DYNAPAC COMPACT PAVERS

	F1200C	F1200CS
<b>WEIGHT</b>		
Weight, t	5.8	5.9
<b>DIMENSIONS</b>		
Basic width, m	1.20	1.20
Working width, max., m	3.10	3.10
Working width, hydraulic extendable, m	2.40	2.40
Working width, min. (w/reduction shoe), m	0.30	0.30
<b>CAPACITY</b>		
Placement thickness, max., mm	-150 up to +200	-150 up to +200
Capacity, t/h	300	1100
<b>MATERIAL HOPPER</b>		
Dumping height center, mm	570	570
Hopper width, internal, mm	2830	2830
Hopper capacity, m <sup>3</sup>	2.30 (5 t)	2.30 (5 t)
<b>TRACTION</b>		
Paving speed, m/min	27	27
Transport speed, km/h	3.30	3.30
<b>ENGINE</b>		
Engine model	Deutz TD 2.9 L4	Deutz TD 2.9 L4
Rated power KW @ 2200 rpm	54 (72 hp)	54 (72 hp)
Emissions	Stage 3A/3B (Tier 3/4f)	Stage 3A/3B (Tier 3/4f)
Electrical system, V	24	24
Fuel tank capacity, l	85	85
<b>CRAWLER</b>		
Crawler length, mm	1390	1390
Crawler width, mm	205	205
Final drive	Direct drive over transmission	
<b>CONVEYOR</b>		
Conveyor type	Splitted conveyor drive with center conveyor	
Conveyor width, mm	620	620
Conveyor control	Automatic with limit switches	
<b>AUGER</b>		
Auger diameter, mm	320	320
Auger control	Automatic with ultrasonic sensors	
<b>SCREED OPTIONS</b>		
Vario screed V240V/VE	YES	NO
Tamper-Vibration screed V240TV/TVE	NO	YES

*Your Partner on the Road Ahead*